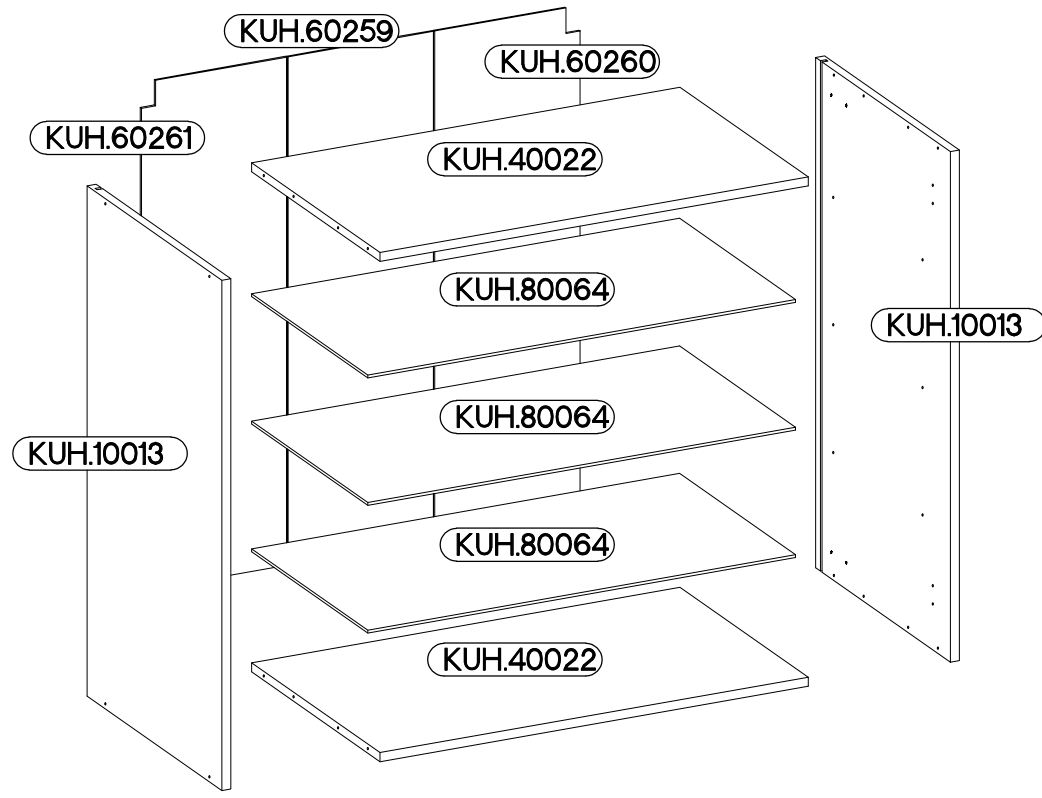
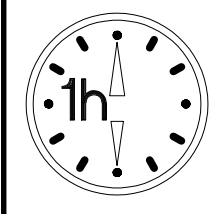
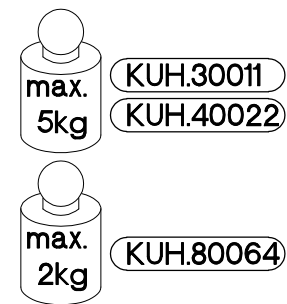
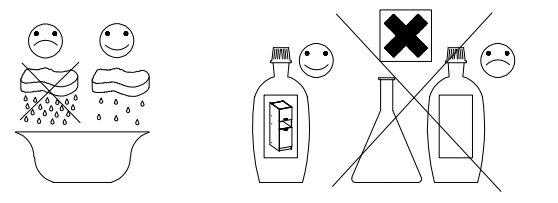
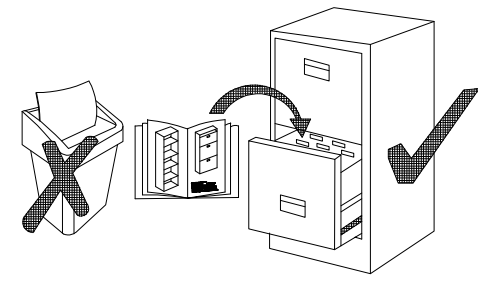


80 GS-90 2F



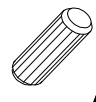

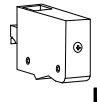
Ersatzteil Nummer	Dimension
KUH.10013 x2	900x290x16
KUH.40022 x2	767x276x16
KUH.60259	896x260x2,5
KUH.60260	896x260x2,5
KUH.60261	896x260x2,5
KUH.80064 x3	766x250x5

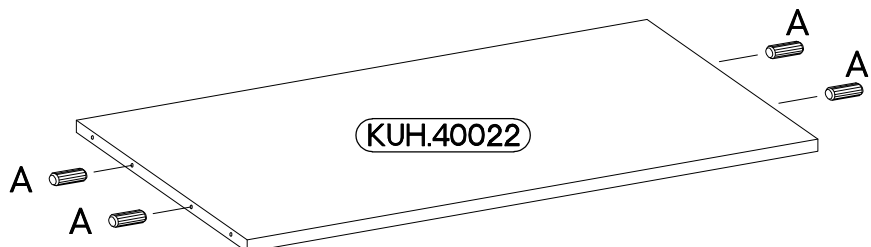
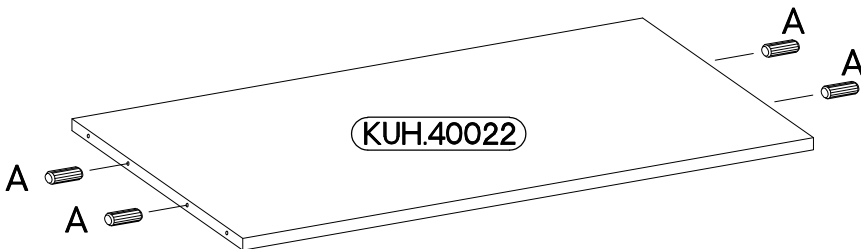
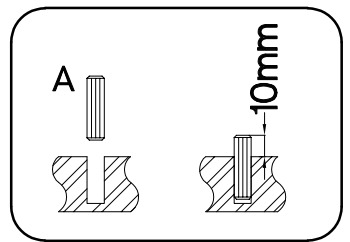
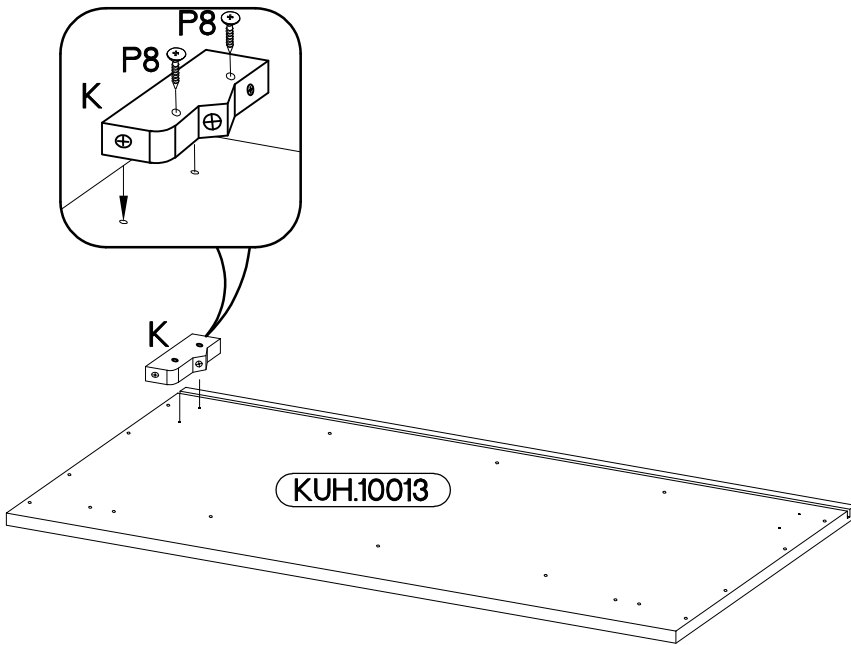
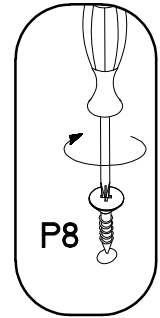
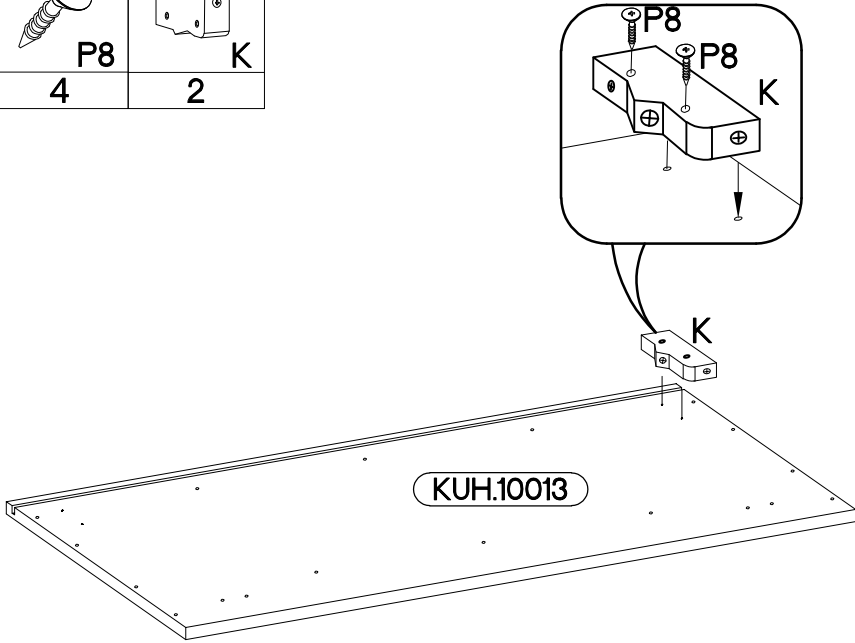
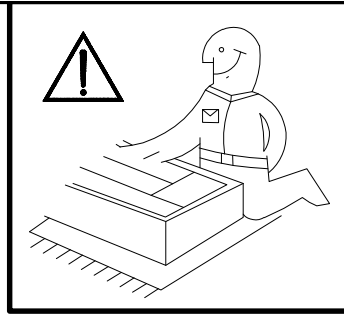
+8x30mm A 8	6,4 x 50mm B 8	E1 8	+35/0mm HG 4
+5/16mm J12 12	K 2	L1=865mm L1 2	O 1
+3.5x13mm P5 8	+3.0x20mm P7 15-20	+4.0x30mm P8 4	



ISM-KUH-02005

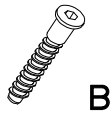
1

 ‡8x30mm A	 ‡4.0x30mm P8	 K
8	4	2



2

6,4 x 50mm



B

4



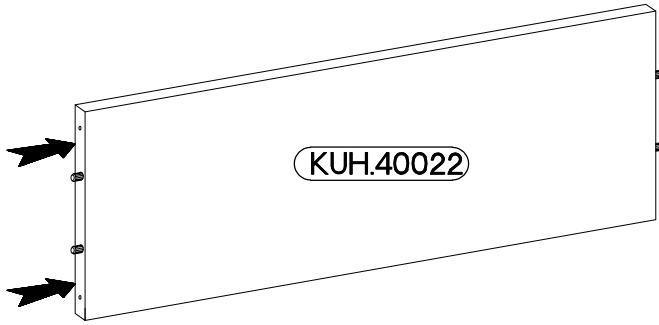
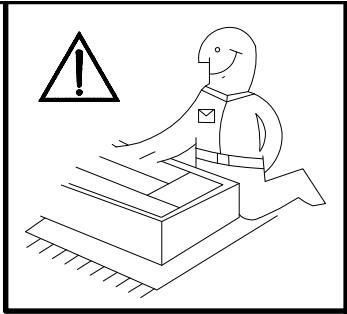
O

1

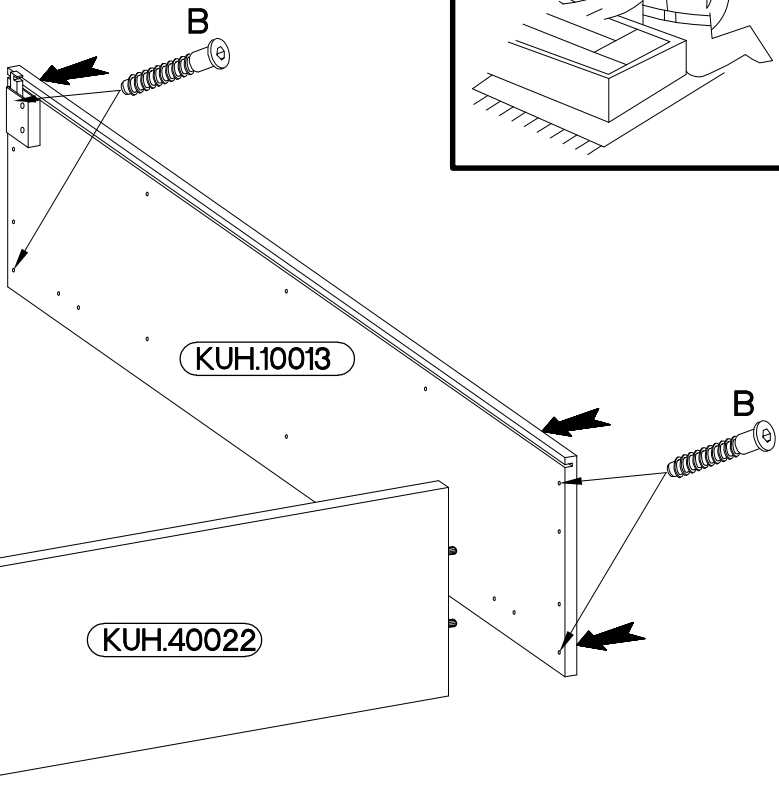


E1

4

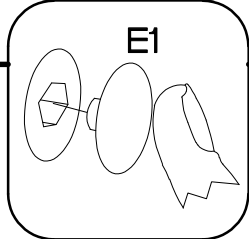
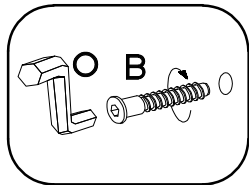


KUH.40022

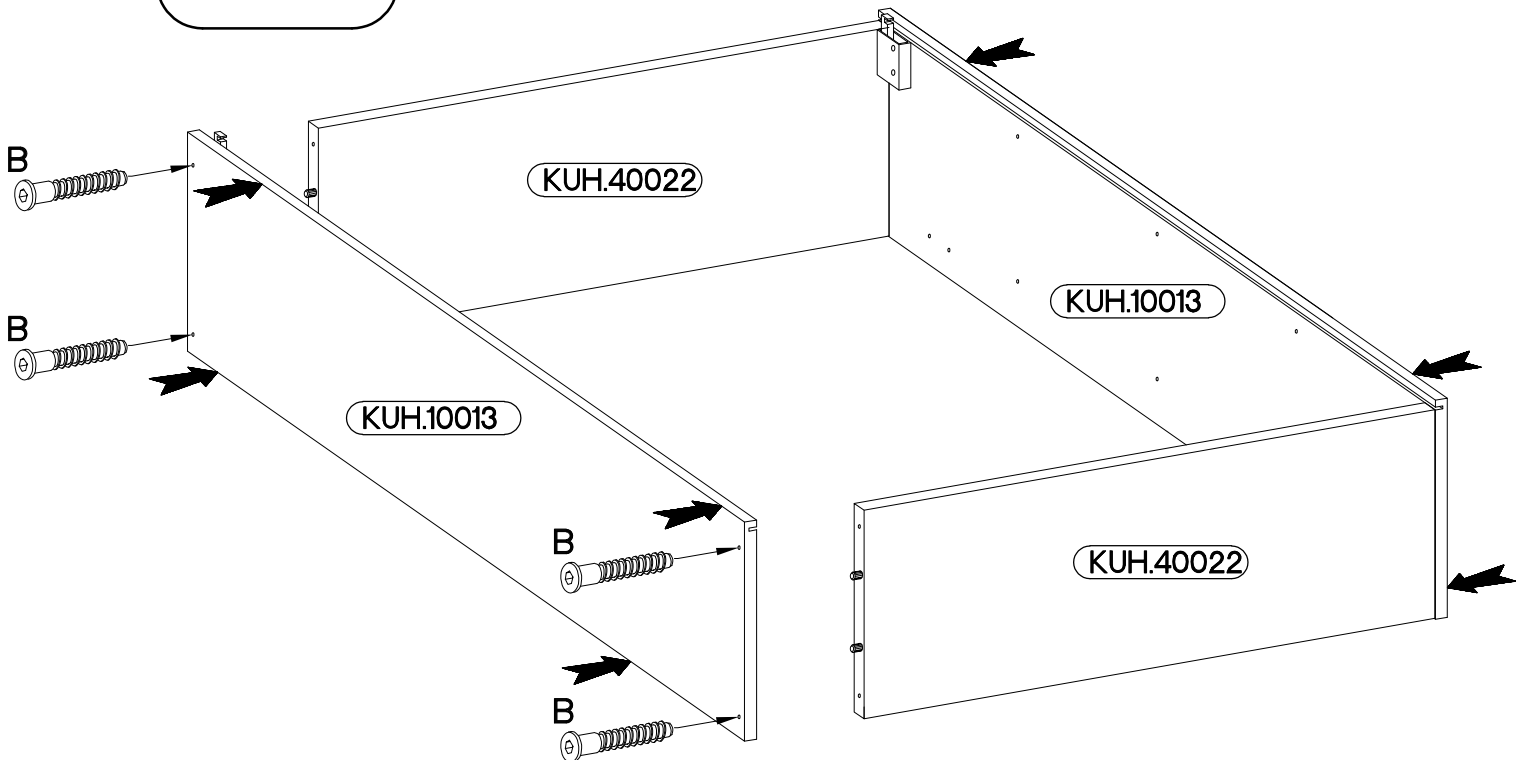


KUH.10013

KUH.40022



3



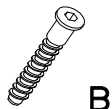
KUH.40022

KUH.10013

KUH.10013

KUH.40022

6,4 x 50mm



B

4



O

1

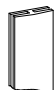


E1

4

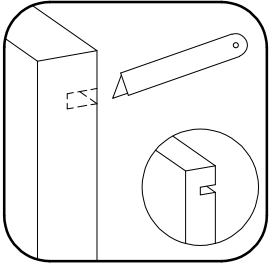
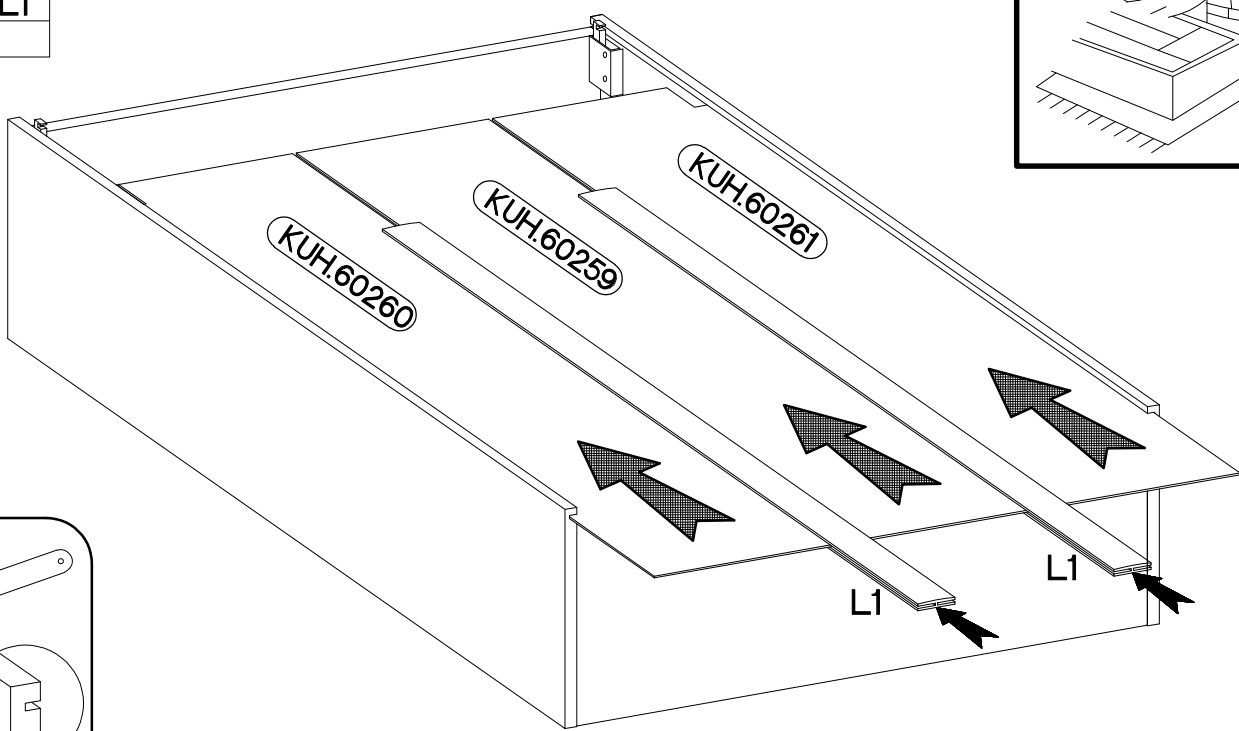
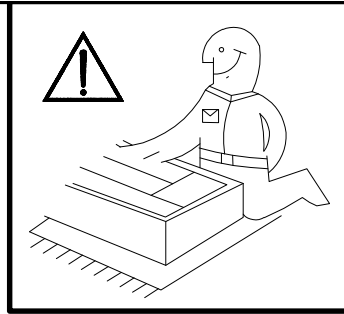
4

L1=865mm




L1

2



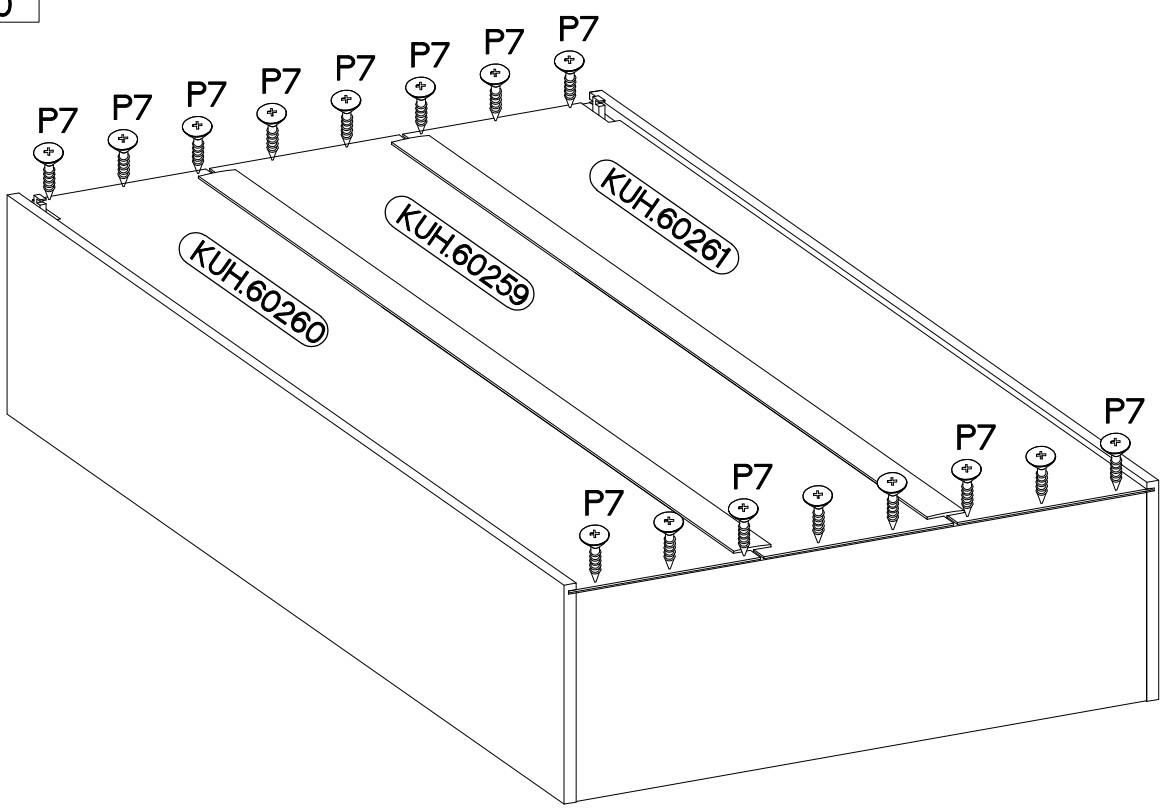
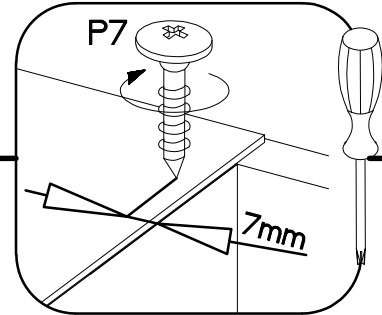
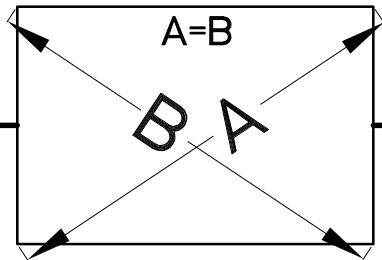
5

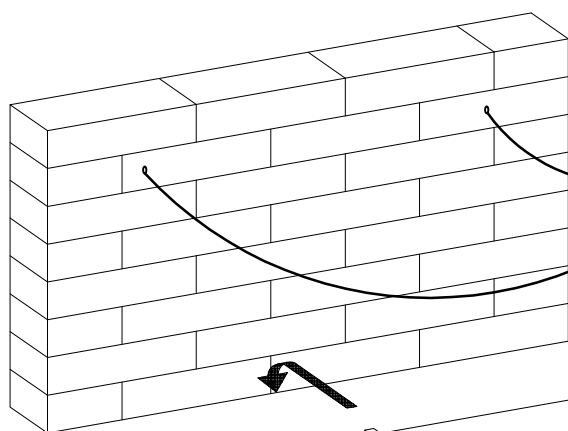
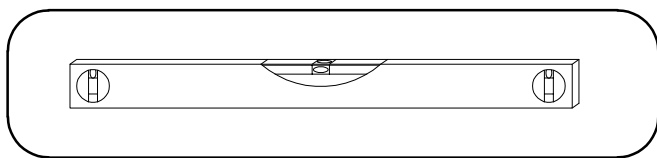
±3.0x20mm



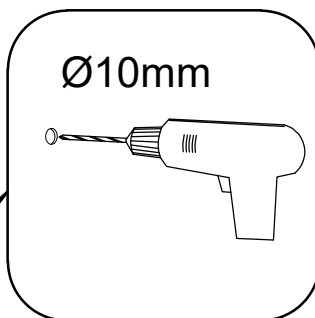
P7

15-20

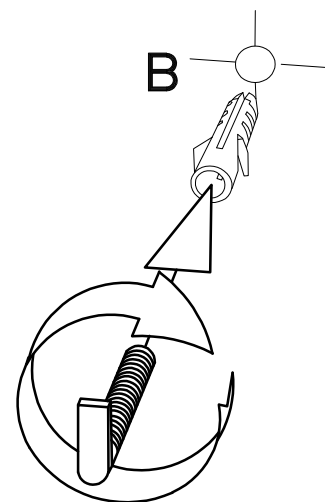
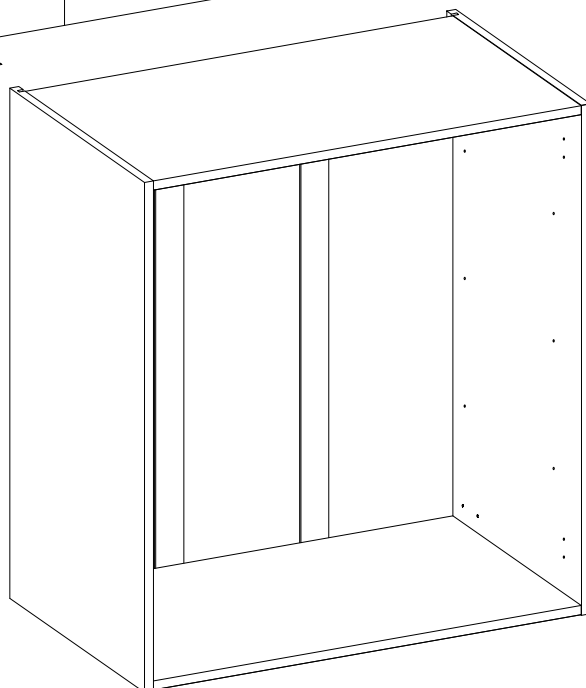




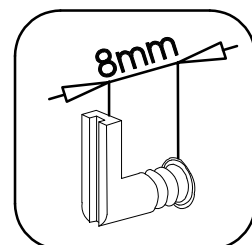
A



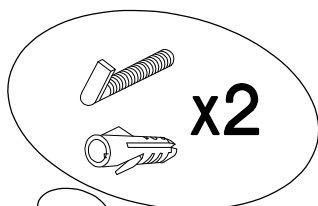
Ø10mm



B



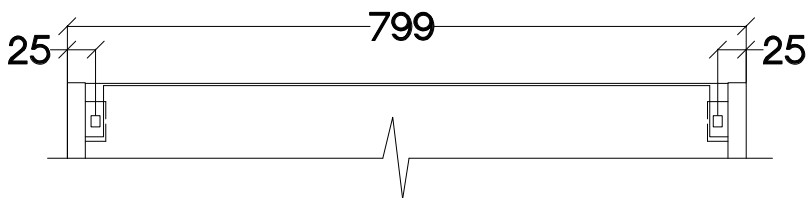
8mm



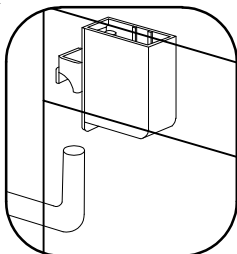
x2



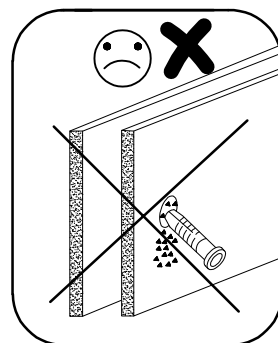
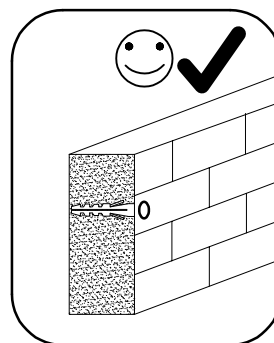
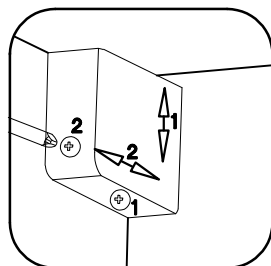
SHOP



C

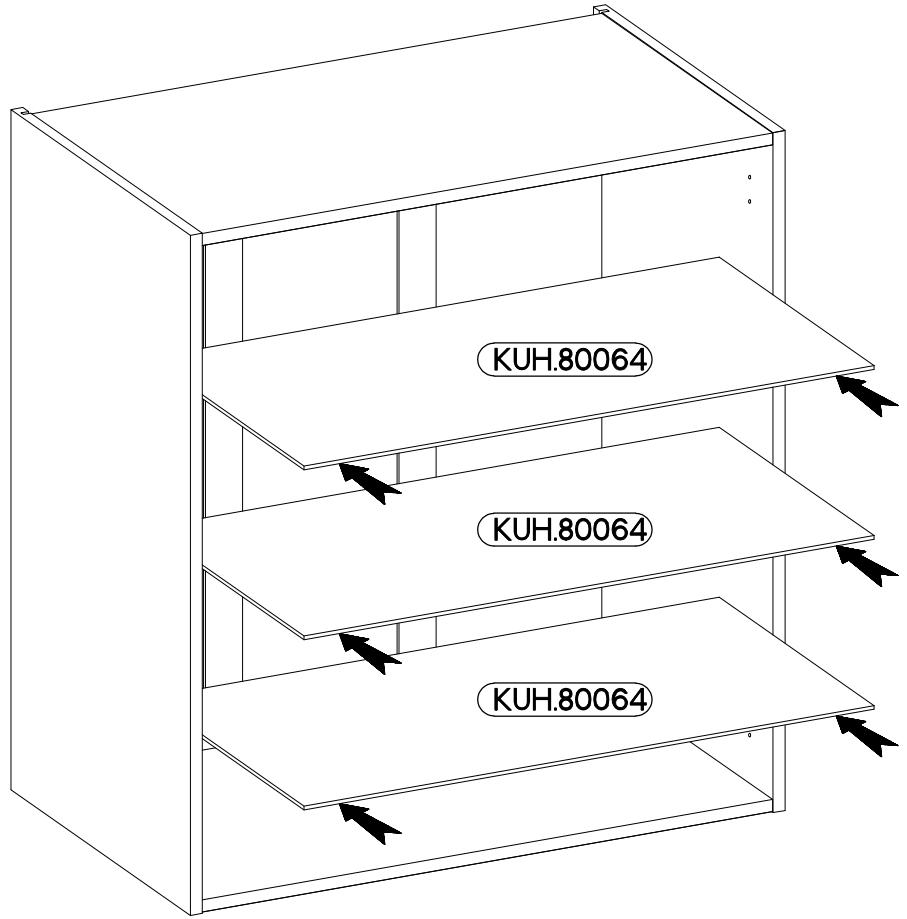
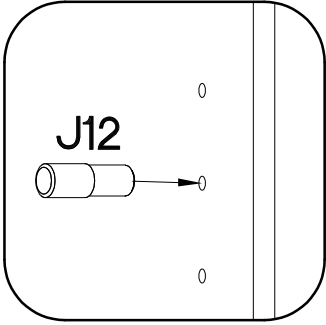


D



7

±5/16mm
J12
12



8

FRONT

